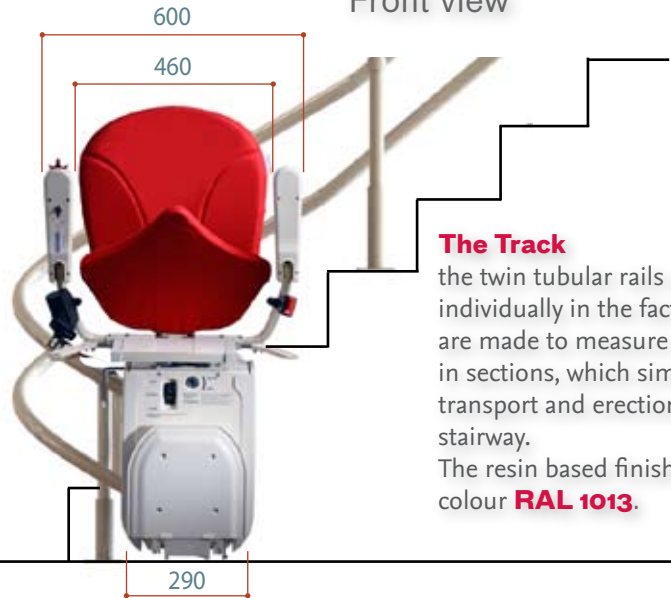


Technical specification

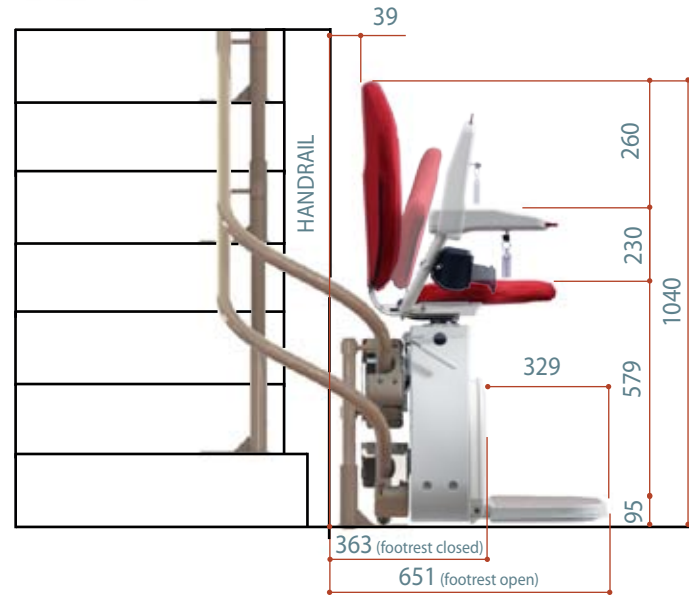
Platinum ERGO Stairlift

Front view



The Track
the twin tubular rails are tested individually in the factory; they are made to measure and made in sections, which simplifies the transport and erection on the stairway. The resin based finish is of the colour **RAL 1013**.

Side view

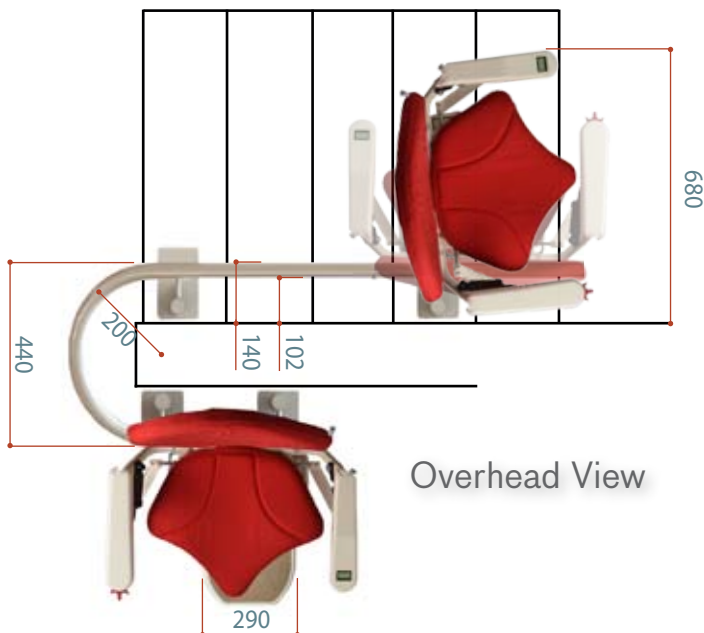


Detail 1
Adjustment of the armrests and the seat.



The carriage
The seat has maximum capacity of **120 kg**. It is also available with a maximum capacity of 160Kg on request.

Overhead View



Detail 2

A level start and arrival with the seat in swivelled position.



The Key Features

Seat covers removable and washable
to keep your stairlift always clean and tidy.



Easy to use Joystick
to use the stairlift in the most natural and comfortable way even for those with limited mobility.

Exclusive to
Platinum



Isolating Key
located under the armrest.



Footrest lever
to lift and lower the footrest without having to bend down.



Ergonomically designed seat
studied to optimise the position of the legs whilst seated.

Exclusive to
Platinum



Exclusive to
Platinum

InVISION display
set in the armrest to have all information at your fingertips in real time.

Exclusive to
Platinum

Safety harness
for the maximum peace of mind.

Swivel seat
reaching the top of the stairs you can alight straight onto the landing.

Emergency hand winder
in an emergency the seat can be moved using a manual handle.

ON/OFF switch
to switch the stairlift on and off as required.

12 Security sensors
any one sensor will stop the chair safely if an obstruction is detected.

